



# OWNER'S MANUAL

## 464™ LEVER ACTION CENTERFIRE LEVER ACTION RIFLE

IMPORTANT "SAFETY WARNINGS" — NOTE THE SYMBOL: 

**THESE SAFETY WARNINGS ARE FOR YOUR PROTECTION AS WELL AS THE SAFETY OF OTHERS. DISREGARDING INFORMATION IN THIS MANUAL MAY RESULT IN SERIOUS INJURY OR DEATH.**



Be certain this owner's manual is available for reference and is kept with this firearm if transferred to another party. If this manual is lost or misplaced, contact Mossberg for a free replacement copy.



After performing any work on your firearm such as cleaning, adjustments, disassembly or installation of any accessory, the firearm should be re-checked for proper functioning before firing live ammunition.



Firearms are complicated mechanisms. Any modification, alteration, or improper fitting of parts may result in a dangerous malfunction, damage to the firearm and injury to the shooter and/or those around you. The firearm's owner must accept full responsibility for the correct reassembly and functioning of the firearm after any disassembly or replacement of parts.



If you do not understand any of the material in this manual or have any questions, contact Mossberg or a qualified gunsmith.



Do not attempt to load or use any firearm until you have read and understood the information contained in its owner's manual. Before handling your firearm, you should learn how it operates and how to maintain it. This includes knowing its basic parts, how the manual safety and other safety features operate, how to safely open and close the action, and how to safely load and unload ammunition from the firearm. Improper use and handling is dangerous and could cause serious injury or death to you or those around you. All users of the firearm must become thoroughly familiar with the instructions in this manual.

---

### O.F. MOSSBERG & SONS, INC.

P.O. BOX 497 • 7 GRASSO AVENUE, NORTH HAVEN, CT 06473

PHONE (203) 230-5300 FAX (203) 230-5420

[www.mossberg.com](http://www.mossberg.com)

*Safety and safe firearms handling is everyone's responsibility.*



As the owner of a firearm, you must undertake the full-time responsibility of safe firearms handling for your own safety and the safety of those around you:

- Keep all firearms and ammunition out of the reach of children.
- Store your firearms and ammunition separately.
- Never store a loaded firearm.
- Never leave a loaded firearm unattended.
- Never transport a loaded firearm in a vehicle.
- Unload your firearm when you have stopped shooting and when you have to climb a tree, fence, cross a slippery surface or have to transport it in a vehicle.
- Do not load your firearm before you are in a place where it is safe to shoot, and keep your finger off the trigger until you are on target and have decided to fire.
- Never shoot at water, rocks or any hard surfaces. Bullets may glance off such surfaces and cause injuries.
- Do not use alcohol or drugs before or while handling firearms.
- Do not touch the trigger while the safety button is being engaged or disengaged.



Always point the muzzle of your firearm in a safe direction, regardless of whether the firearm is loaded or unloaded.



Always treat every firearm as if it were loaded. Give your firearm to someone with the action open and the safety button pushed fully rearward in the "ON" (SAFE) position, after you verify the firearm is unloaded. Insist on the same procedure when receiving a firearm from someone else. Learn the location of all the safety features of your firearm and how they operate.



Wear eye and ear protection when shooting. Shooting without proper ear protection can cause hearing damage. The use of eye protection during any type of shooting is important to protect your vision.



When using a firearm with mounted optics, maintain an adequate distance between the rear of the scope and your face at all times. Be certain the scope installation does not interfere with access to, or the proper functioning of the safety button.



**WE SPECIFICALLY DISCLAIM ANY RESPONSIBILITY FOR DAMAGE OR INJURY WHATSOEVER OCCURRING IN CONNECTION WITH, OR AS A RESULT OF, THE USE OF FAULTY, OR NON-SAAMI STANDARD, OR "REMANUFACTURED," OR HAND LOADED (RELOADED) AMMUNITION. ADDITIONALLY, WE DISCLAIM ANY RESPONSIBILITY FOR DAMAGE OR INJURY WHICH RESULTS FROM ANY MODIFICATIONS OR CHANGES THAT ARE NOT A PART OF THE FIREARM AS DELIVERED FROM THE FACTORY.**



Learn to clean your firearm thoroughly and make certain no oil, grease or other materials are blocking the barrel. Obstructions of any kind can cause damage to the firearm and may result in serious personal injury to the shooter and/or others nearby.



Practice proper firearm maintenance and safety. Make sure all exposed metal surfaces are coated with a thin film of oil, especially after being exposed to damp weather. (See proper section of this manual for cleaning instructions.) Do not plug the barrel or store in a fabric-lined case which will absorb lubricants from the firearm. Before using after storage, follow complete instructions stated in this manual for familiarization with the firearm. A thorough inspection and function test should be performed before going into the field. Have your firearm periodically checked by a qualified gunsmith.



**A note about the warnings and information contained in this Manual:**

We strongly suggest that you check with your local licensed retailer or state police for additional information concerning firearms ownership, or hunting or target shooting rules that may be required by local law or regulation. Since such rules and regulations are subject to change, local authorities are in the best position to advise you on such matters.

## TABLE OF CONTENTS

	Page
Unpacking Your Lever Action Rifle . . . . .	4
General Information and Mechanical Characteristics . . . . .	4
Mechanical Safety Features . . . . .	4
To Load and Unload the Rifle . . . . .	5
Firing . . . . .	7
Disassembly and Assembly . . . . .	7
Cleaning and Lubrication . . . . .	7
Function Testing . . . . .	9
Sight Adjustment . . . . .	9
Hammer Extension . . . . .	10
Precautions and Care with your Rifle . . . . .	10
Service Instructions . . . . .	11
Warranty Information . . . . .	12
Notes . . . . .	13
Parts List . . . . .	14
Exploded View . . . . .	15
<i>Basic Rules of Safe Firearms Handling</i> . . . . .	Back Cover



## OPERATING INSTRUCTIONS



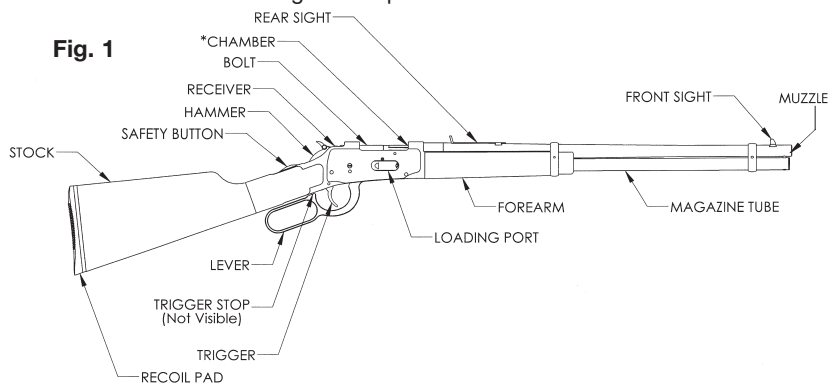
Read and understand this entire manual and its safety warnings before handling this firearm.

### UNPACKING YOUR NEW CENTERFIRE LEVER ACTION RIFLE

When shipped from the factory the rifle has a protective coating of oil on its metal parts. Before using the rifle, visually and physically inspect the inside of the barrel to be sure it is free of any excess oil, grease or any obstructions. Obstructions of any kind can cause damage to the firearm and may result in serious personal injury to the shooter and/or others nearby.

### GENERAL INFORMATION AND MECHANICAL CHARACTERISTICS

The 464™ Lever Action is designed to operate with the caliber inscribed on the barrel.



\*The chamber is the rear most part of the barrel. It can be seen when the bolt is in the "open" position.

### MECHANICAL SAFETY FEATURES

The safety button is located on the top rear portion of the receiver (Fig. 2) and must be manually moved to the desired position by the shooter.

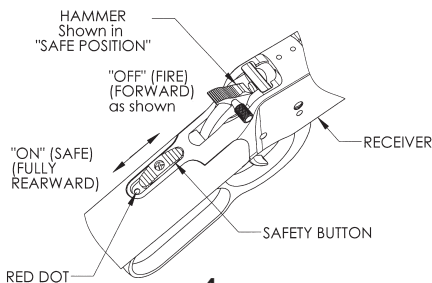


Remember, a firearm's manual safety is a mechanical device which can never replace safe firearm handling practices.

### SAFETY BUTTON AND HAMMER STOP

The manual safety, when engaged, prevents the hammer from striking the firing pin. When the safety is in the "ON" (SAFE) position, and the trigger is pulled fully to its rearward position, the hammer will partially fall (shown in fig. 2), but will not strike the firing pin. When the safety is in the "OFF" (FIRE) position, and the trigger is pulled fully to its rearward position, the hammer will fall through its full range of motion and strike the firing pin.

**Fig. 2**





**To put the safety in the “ON” (SAFE) position, the safety button must be moved fully rearward to the safety detent.** The button will now cover the red dot. The red dot is a training aid used only to show the direction of the “ON” (SAFE) position and should not be used as an indicator that the safety is “ON” or “OFF.” Moving the safety button forward toward the muzzle of the rifle will put the safety in the “OFF” (FIRE) position.



Never rely on any mechanical mechanism or safety device to prevent the dangers of careless handling or pointing a firearm in an unsafe direction.

### TRIGGER STOP

The 464™ Lever Action is fitted with a trigger stop (Fig. 1).



The trigger stop is a mechanical means of ensuring that the bolt is fully closed before discharging the rifle. **It is not a safety**, and should not be relied upon to prevent accidental discharge of the rifle.

The trigger stop is actuated by the lever and helps prevent discharge of the firearm when the bolt is not fully closed. When the lever is closed but not held tight to the stock, the trigger stop blocks the trigger motion, preventing the trigger from moving fully to its rearward position. Pulling the finger lever tight to the stock releases the trigger stop and allows the trigger to travel fully to its rearward position. If the safety button is in the “OFF” (FIRE) position and the trigger is pulled to its full rearward position, the hammer will strike the firing pin and fire the rifle if a cartridge is in the chamber.

### MOVING THE HAMMER TO THE SAFE POSITION

Keep the rifle pointed in a safe direction. Make absolutely certain that the safety button is fully rearward in the “ON” (SAFE) position. Firmly grip the rifle. Using your thumb, place and keep pressure on the hammer, pulling it back slightly. Pull the finger lever tight against the stock and gently pull the trigger just enough to release the hammer from the cocked position. Keeping pressure on the hammer, allow it to come **SLOWLY** forward to the safe position (Fig. 2).

### TO LOAD AND UNLOAD THE RIFLE

---

The 464™ Lever Action with a 20" barrel has a magazine capacity of 6 rounds. The 464™ Lever Action with a 16" barrel has a magazine capacity of 5 rounds. The rifle is designed to operate with the caliber inscribed on the barrel.



Use only cartridges specifically designed for use in a centerfire rifle with a tubular magazine. Use of cartridges with conical points not specifically designed for the tubular magazine may cause serious personal injury to the shooter or those around you and/or cause damage to your rifle.

### LOADING A SINGLE CARTRIDGE



During loading, never allow fingers or any objects to contact the trigger. Keep the muzzle pointed in a safe direction at all times.

Keep the rifle pointed in a safe direction. Make sure the safety button is fully rearward in the “ON” (SAFE) position. With the action open, check the magazine, carrier and chamber to be sure the rifle is unloaded. Place a single cartridge directly into the chamber. Close the action.



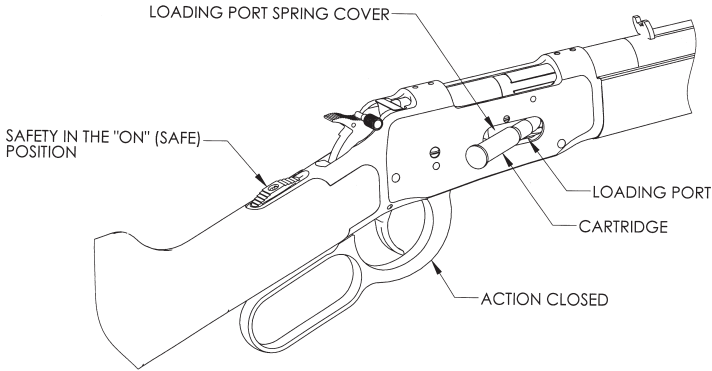
Do not touch the trigger until you are on target and have decided to fire.





## LOADING THE MAGAZINE

Cartridges are loaded into the magazine through the loading port on the right hand side of the receiver (Fig. 3).



**Fig. 3**

Keep the rifle pointed in a safe direction. Make sure the safety button is fully rearward in the "ON" (SAFE) position. Open the action, and check the magazine, carrier and chamber to be sure the rifle is unloaded. Close the action. Move the hammer to the safe position as described in the section "MOVING THE HAMMER TO THE SAFE POSITION." Load a cartridge through the loading port into the magazine, by simultaneously pushing it in (against the spring loaded loading port cover) and forward (Fig. 3). Push the cartridge only far enough for the cartridge rim to hold the port cover open. Loading the next cartridge will move the previous one fully into the magazine tube. Repeat until the required number of cartridges (6 max.) are loaded. Fully insert the last cartridge. This allows the loading port cover to spring shut.

**CAUTION: If the loading port cover is not fully closed, the action may jam when cycled.**

**NOTE: If a cartridge was not loaded into the chamber, opening and closing the action will feed the first cartridge from the magazine into the chamber.**



Do not touch the trigger until you are on target and have decided to fire.

## UNLOADING THE RIFLE

To unload the muzzle, keep the rifle pointed in a safe direction. Move the safety button fully rearward in the "ON" (SAFE) position. Open and close the lever until all cartridges are ejected. When cycling the action, make sure the lever is fully opened and fully closed to ensure proper feeding and ejection. When the last cartridge is ejected, keep the action open. Check the magazine, carrier and chamber to be sure the rifle is unloaded.



After unloading, always visually and physically inspect that there are no cartridges in the chamber, magazine or on the carrier.

As a safety procedure, every time shooting has stopped or the rifle is unloaded, move the safety button fully rearward to the "ON" (SAFE) position and move the lever to the open position.





## FIRING

---



Discharging firearms in poorly ventilated areas, cleaning firearms, and/or handling ammunition may result in exposure to lead and/or other substances known to cause birth defects, reproductive harm, and/or other serious physical injury. Have adequate ventilation at all times. Wash hands thoroughly after exposure.

With the rifle pointed in a safe direction and held in a proper firing position, move the safety button fully forward to its “OFF” (FIRE) position. Squeeze the lever tightly against the stock. (This releases the trigger stop). Pull the trigger through its full travel to the rear to fire the rifle.



Should any cartridge fail to fire, keep the firearm pointed in a safe direction and move the safety button fully rearward to the “ON” (SAFE) position. Wait a few moments and then remove the misfired cartridge and keep separate from other ammunition. Do not attempt to refill a misfired cartridge.



If at any time during firing, the sound of any cartridge is noticeably louder or softer than the previous cartridges fired, **STOP!** Do not load or fire additional cartridges until you have put the safety in the “ON” (SAFE) position and safely unloaded your firearm. Inspect the firearm for possible damage or obstructions in the chamber or bore. (The bore is the inside surface of the barrel.) Firing the rifle with a bore obstruction can cause damage to the firearm and may result in serious personal injury to the shooter and/or others nearby.

After firing, pulling the lever fully open and fully closed will eject the spent cartridge and chamber the next live cartridge. The rifle is again ready to fire.

## DISASSEMBLY/ASSEMBLY

Normal maintenance of your Mossberg 464™ Lever Action does not require any disassembly. Service beyond cleaning and lubrication should be performed by a qualified gunsmith or an authorized Product Service Center only.

## CLEANING AND LUBRICATION

---

With proper care, your Mossberg 464™ Lever Action will provide you with years of dependable service. Your firearm should be inspected and cleaned periodically to ensure that it remains in good condition. Clean your firearm as soon as possible after use. This is especially important if your firearm has been exposed to moisture. For maximum performance and continued satisfaction with your firearm, periodic cleaning and lubrication are essential. Wear eye protection during cleaning.



Always be sure that the safety button is fully rearward in the “ON” (SAFE) position (Figure 1) and that the rifle is unloaded by visually and physically checking the chamber, carrier and magazine before cleaning your rifle. Wear eye protection during cleaning.

Follow the instructions and use the equipment provided in a quality gun cleaning kit.

All metal parts should be cleaned with an appropriate gun cleaning solvent and lightly lubricated with gun oil. Over lubrication should be avoided. Use only lubricants specially designed for firearms. Avoid the use of abrasives, which may damage the metal finish.

Normal use requires only that the mechanisms be free of excessive shooting residue. Very little lubrication other than a light oiling of the action and external surfaces is needed to prevent rust.

If the rifle is to be stored for a long period of time, it should be thoroughly cleaned and oiled. Do not plug the barrel or store the firearm in a case that will absorb lubricants.





## CLEANING THE BARREL

Follow the instructions and use the equipment provided in a quality gun cleaning kit.

To clean the barrel, moisten the correct caliber (caliber is inscribed on the barrel) brass cleaning brush with solvent and insert it into the barrel. Scrub the barrel several times. The barrel may be cleaned from breech to muzzle by using flexible rods, inserted through the ejection port. If rigid rods are used, the barrel must be cleaned muzzle to breech. Care must be taken not to damage the muzzle.

Use the correct caliber cleaning rod with a clean cloth patch to wipe the bore dry. Repeat several times, using a new patch each time, until barrel is clean and shows no signs of residue. A final pass with a lightly oiled patch will provide a protective coating.

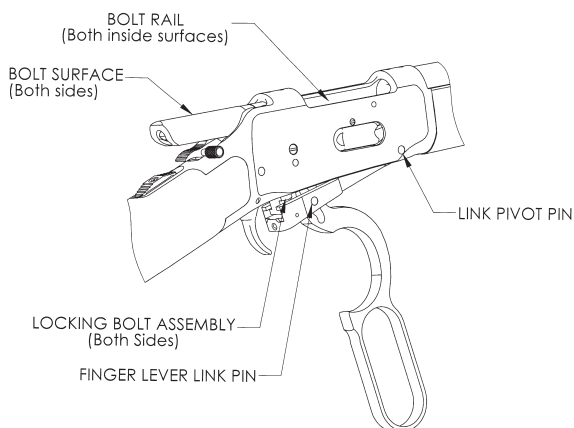


Make sure the barrel is free of obstructions and excessive lubricant after cleaning. Be sure not to leave cleaning patches or excessive oil or grease in the bore as they can create dangerous obstructions. Obstructions of any kind can cause damage to the firearm and may result in serious personal injury to the shooter and/or others nearby.

## LUBRICATING THE ACTION

Apply a few small drops of oil on the following surfaces (Fig. 4):

- a. Along the Bolt surface.
- b. On each side of the vertical Locking Bolt Assembly.
- c. Along the Bolt Rail surfaces.
- d. Link Pivot Pin.
- e. Finger Lever Link Pin



**Fig. 4**







## FUNCTION TESTING



AFTER PERFORMING ANY WORK ON YOUR FIREARM SUCH AS CLEANING, DISASSEMBLY OR INSTALLATION OF AN ACCESSORY:

- a. Move the safety button fully rearward to the “ON” (SAFE) position and keep the muzzle pointed in a safe direction.
- b. **Open the action and visually and physically inspect the chamber, carrier and magazine to be certain the firearm is unloaded.**

Keep the safety button fully rearward in the “ON” (SAFE) position. Keep the muzzle pointed in a safe direction. Open and close the lever several times to check for free movement of the action assembly.

Close the lever and leave the safety button fully rearward in the “ON” (SAFE) position. With the lever held loosely (not tight against the stock), try pulling the trigger. The trigger should not move fully rearward and the hammer should not fall.

Keep the safety button fully rearward in the “ON” (SAFE) position. Squeeze the lever tight against the stock and pull the trigger. The trigger should move fully rearward. The hammer should only partially fall and not strike the firing pin. (As a check, keep squeezing the lever tight against the stock and pulling the trigger fully rearward. Try to push the hammer forward. You should not be able to push the hammer forward and make contact with the firing pin).

Release the trigger and cycle the action. Move the safety button forward to the “OFF” (FIRE) position. Make certain the firearm is pointed in a safe direction. Squeeze the lever tight to the stock and pull the trigger. The hammer should fall through its full range of motion and strike the firing pin. (As a check, keep squeezing the lever tight against the stock and pulling the trigger fully rearward. Try to push the hammer forward. You should be able to push the hammer forward and make contact with the firing pin).

When you have completed the function testing, open the action and move the safety fully rearward to the “ON” (SAFE) position.



IF YOUR FIREARM DOES NOT PERFORM AS DESCRIBED IN ANY OF THE PREVIOUS STEPS, CONTACT THE FACTORY AUTHORIZED PRODUCT SERVICE CENTER IMMEDIATELY. DO NOT ATTEMPT TO USE THE FIREARM.



Firearms are complicated mechanisms. Any modification, alteration, or improper fitting of parts may result in a dangerous malfunction, damage to the firearm and injury to the shooter and /or those around you. The firearm’s owner must accept full responsibility for the correct reassembly and functioning of the firearm after any disassembly or replacement of parts.

## SIGHT ADJUSTMENT

BEFORE MAKING ANY SIGHT ADJUSTMENT:



- a. Move the safety button fully rearward to the “ON” (SAFE) position and keep the muzzle pointed in a safe direction.
- b. Open the action, visually and physically check the chamber, carrier and magazine tube to be certain the firearm is unloaded.





## REAR SIGHT ADJUSTMENT (MARBLE ARMS SIGHT)



Elevation may be adjusted by folding the rear sight blade forward and down. Loosen the screw, which is located on the sight blade. This will allow the center notch piece to be moved vertically for height adjustment. **(Note: To prevent the sight screw from being lost, loosen only enough to move the center notch piece for adjustment).** The reversible center notch piece allows either a “U” or “V” shaped notch to be used. Tighten the screw after adjustment.

Windage may be adjusted by turning the screw on the right side of the sight base either clockwise or counterclockwise. Turning the screw clockwise moves the sight to the right, counterclockwise moves the sight to the left.

Remember: Move the rear sight in the same direction you would want the shot to move. For example, if the point of impact is low and to the left from the point of aim, move the rear sight upward and to the right.

## REAR SIGHT ADJUSTMENT (WILLIAMS SIGHT)



Elevation may be adjusted by turning the elevation adjusting screw clockwise to raise the point of impact, or counterclockwise to lower the point of impact.

Windage may be adjusted by loosening the locking screw on the sight blade, then moving the sight blade in the desired direction. Left will move the point of impact to the left, right will move the point of impact to the right. Tighten the locking screw after moving the sight blade.

Remember: Move the rear sight in the same direction you would want the shot to move. For example, if the point of impact is low and to the left from the point of aim, move the rear sight upward and to the right.



## HAMMER EXTENSION

The Model 464™ Lever Action is supplied with a hammer extension. The hammer extension can be used when a scope is mounted to the rifle. It extends from the side of the hammer and makes it easier to operate the hammer. It can be mounted either in the right hand or left hand position.

Before installing, place a drop of thread locking compound on the threaded end of the hammer extension. Insert the threaded end of the hammer extension into the threaded hole in the right or left side of the hammer. (Right-handed shooters usually prefer mounting on the right side of the hammer). Hand tighten the hammer extension into the hammer, (Fig. 5).

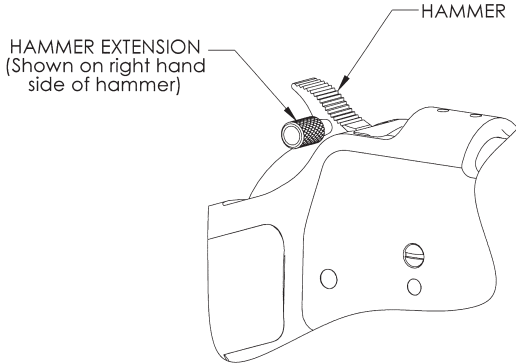


Fig. 5

## PRECAUTIONS AND CARE WITH YOUR RIFLE

When you store your rifle, make sure that the magazine, carrier and the chamber are empty. Keep the action open. We strongly urge you to use the lock shipped with this firearm. The lock should be looped through the lever as shown in Fig. 6.

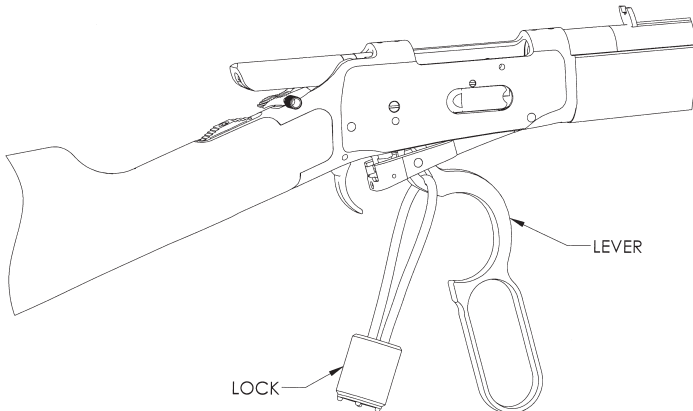


Fig. 6

Handling leaves finger prints that can cause metal parts to rust. Abrupt changes in temperature can cause condensation and moisture. Wipe the barrel and other metal parts with light oil after handling.

## SERVICE INSTRUCTIONS

Should your firearm, or any component of your firearm require service, ship your entire firearm (please do not send components only), via your chosen carrier, postage paid (we do not accept C.O.D. shipments), following these instructions:

- **Make absolutely certain your firearm is unloaded.**
- **Do not send ammunition with your firearm.**
- Remove all accessories from your firearm such as scopes, slings, mounts, etc.
- Ship your firearm in a suitable container, packaging it securely to prevent parts from shifting and/or harm during shipping.
- Include a note with a clear description of the service you wish us to perform, your complete return shipping address (no P.O. boxes please), your daytime telephone number and your e-mail address (if available). It is advisable to place your correspondence inside your shipping container when shipping.

### **SHIPPING ADDRESS**

Product Service Center  
Maverick Arms, Inc.  
1001 Industrial Blvd.  
Eagle Pass, TX 78853  
Attention: Repair

If you have any questions, please call the Product Service Center at (800) 363-3555 or [service@mossberg.com](mailto:service@mossberg.com).

### **TO ORDER PARTS**

To order parts from our Product Service Center, you can fax, phone, mail, or e-mail your order to us at one of the following numbers/addresses.

Fax Number: (830) 773-5893  
Phone Number: (800) 363-3555  
E-mail Address: [service@mossberg.com](mailto:service@mossberg.com)  
Mailing Address: Product Service Center  
Maverick Arms, Inc.  
1001 Industrial Blvd.  
Eagle Pass, TX 78853  
Attention: Order Department

Please provide your name, street address, city, state, zip, daytime phone number and e-mail address. We will need the Model #, Serial #, Gauge/Caliber, Finish, Part # and Part Name. We have a \$7.50 (U.S.) minimum parts order charge. We accept most major credit cards, money orders, and bank drafts.

### **Service outside of the U.S.A.**

For Mossberg firearm parts and service requirements outside of the United States, customers are requested to contact the closest Mossberg stocking dealer/distributor.

**MOSSBERG WARRANTY**  
**464™ LEVER ACTION**  
**TWO (2) YEAR LIMITED WARRANTY**

**Limited Warranty:** O.F. Mossberg & Sons, Inc. ("Mossberg") warrants to you, the original retail purchaser of a new Mossberg® 464™ Lever Action (the "Mossberg firearm"), that the Mossberg firearm will be free of defects in material or manufacture for a period of two (2) years from the date of your purchase of the new Mossberg firearm (the "Warranty Period") in the United States or Canada. This is the only express warranty on the Mossberg firearm. MOSSBERG MAKES NO OTHER WARRANTIES OF ANY KIND OR CONDITIONS, INCLUDING, BUT NOT LIMITED TO ANY IMPLIED WARRANTY OF MERCHANTABILITY OR FITNESS FOR A PARTICULAR PURPOSE. This Limited Warranty gives you specific legal rights, and you may have other rights that vary from State to State.

**Purchaser's Remedy:** During the Warranty Period, Mossberg will, at its sole option, (1) repair the Mossberg firearm or any part thereof that, upon examination and testing by Mossberg, does not conform to the Limited Warranty without charge to you for parts or labor, or (2) replace the Mossberg firearm with a new or similar model. THIS REMEDY SHALL BE YOUR EXCLUSIVE AND SOLE REMEDY FOR ANY BREACH OF WARRANTY. MOSSBERG SHALL NOT BE RESPONSIBLE FOR ANY OTHER EXPENSES, LOSSES OR INCONVENIENCE THAT YOU MAY SUSTAIN AS A RESULT OF THE PURCHASE, USE, MALFUNCTION OR DEFECTIVE CONDITION OF THE MOSSBERG FIREARM. Mossberg reserves the right to inspect, examine and/or test the Mossberg firearm to assess any claim made under the Limited Warranty.

**EXCLUSIONS:** THIS WARRANTY DOES NOT COVER THE COSMETIC APPEARANCE OF THE MOSSBERG FIREARM OR ANY DAMAGE CAUSED BY:

- (1) NORMAL WEAR AND TEAR;
- (2) FAILURE TO PERFORM PROPER CARE AND MAINTENANCE;
- (3) ACCIDENTS, ABUSE OR NEGLIGENCE;
- (4) BARREL OR BORE OBSTRUCTIONS;
- (5) FAILURE TO FOLLOW THE INSTRUCTIONS AND WARNINGS THAT ACCOMPANY THE MOSSBERG FIREARM; OR
- (6) THE USE OF DEFECTIVE, NON-SAAMI STANDARD, REMANUFACTURED, HAND-LOADED, AND/OR RELOADED AMMUNITION.

IN ADDITION, ANY UNAUTHORIZED REPAIRS, ALTERATIONS OR MODIFICATIONS TO THE MOSSBERG FIREARM WILL AUTOMATICALLY VOID THE LIMITED WARRANTY.

**LIMITATION OF DAMAGES:** EXCEPT WHERE PROHIBITED BY LAW, MOSSBERG WILL NOT BE LIABLE FOR ANY LOSS OR DAMAGE WHATSOEVER ARISING FROM THE USE OF THIS MOSSBERG FIREARM, WHETHER DIRECT, INDIRECT, SPECIAL, INCIDENTAL, CONSEQUENTIAL OR PUNITIVE, REGARDLESS OF THE LEGAL THEORY ASSERTED, INCLUDING CONTRACT, WARRANTY, NEGLIGENCE, OR STRICT LIABILITY. SOME JURISDICTIONS DO NOT ALLOW LIMITATIONS ON HOW LONG AN IMPLIED WARRANTY LASTS, OR THE EXCLUSION OF INCIDENTAL OR CONSEQUENTIAL DAMAGES, SO THE ABOVE LIMITATIONS MAY NOT APPLY TO YOU.

**Warranty Service:** To obtain service under this Limited Warranty, you must follow the instructions found in the "Service Instructions" section of the Owner's Manual and return the Mossberg firearm to the authorized Product Service Center. You are responsible for all shipping costs to the Product Service Center. Mossberg will not accept COD shipments of any Mossberg firearm for service. After repair or replacement, the Mossberg firearm or a similar model will be returned to you, return postage paid by Mossberg. If we replace the Mossberg firearm, we will keep the firearm that you returned to Mossberg.

**Modification of Warranty:** No agent, representative, distributor, or authorized dealer of Mossberg firearms has any authority to modify the terms or conditions of the Limited Warranty in any way. The Limited Warranty may only be modified in writing by an authorized officer of Mossberg.

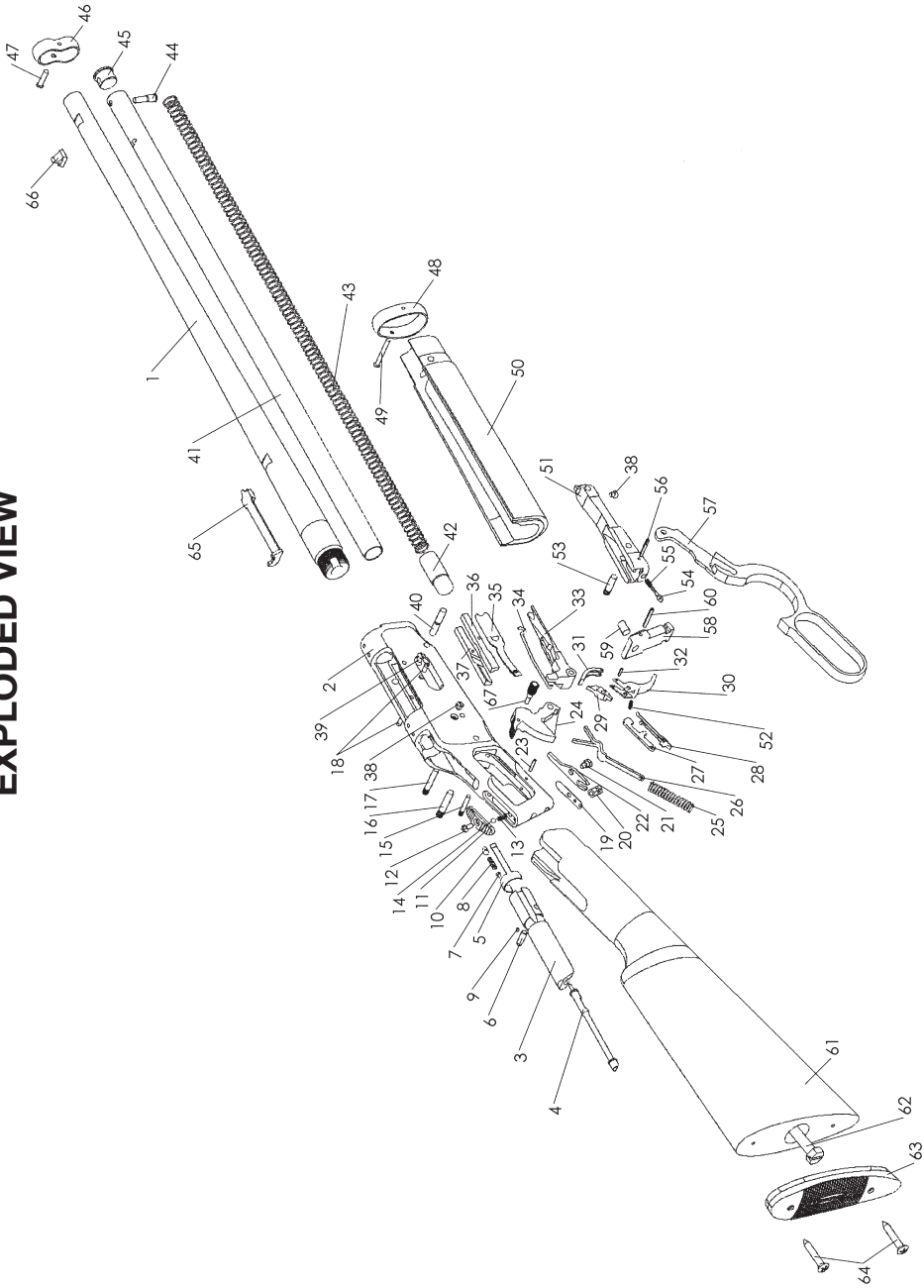
**THIS LIMITED WARRANTY IS EFFECTIVE JANUARY 1, 2007.**

## PARTS LIST

ITEM NO.	DESCRIPTION	ITEM NO.	DESCRIPTION	ITEM NO.	DESCRIPTION
1*	BARREL	23	TRIGGER STOP PIN	45	MAGAZINE PLUG
2*	RECEIVER	24*	HAMMER	46	FRONT BARREL BAND
3*	BOLT	25	HAMMER SPRING	47	FRONT BAND SCREW
4	FIRING PIN	26	HAMMER SPRING STRUT	48	REAR BARREL BAND
5	EXTRACTOR	27	TRIGGER STOP	49	REAR BAND SCREW
6	LEVER BOLT PIN	28	TRIGGER STOP/SEAR SPRING	50	FOREARM
7	LEVER PIN DETENT	29*	SEAR	51	LINK
8	EJECTOR SPRING	30	TRIGGER	52	TRIGGER RETURN SPRING
9	EJECTOR RETAINING PIN	31	HAMMER BLOCK	53	LEVER LINK PIN
10	EJECTOR	32	HAMMER BLOCK PIN	54	LINK PLUNGER
11*	SAFETY BUTTON	33	CARRIER	55	LINK PLUNGER SPRING
12*	SAFETY BUTTON SCREW	34	CARRIER SPRING	56	LINK PLUNGER RETAINING PIN
13*	SAFETY DETENT SPRING	35	LOADING PORT SPRING COVER	57	LEVER
14*	SAFETY DETENT BALL	36	CARTRIDGE GUIDE, RIGHT HAND	58*	LOCKING BOLT
15	TRIGGER PIN	37	CARTRIDGE GUIDE, LEFT HAND	59	FIRING PIN STRIKER
16	HAMMER PIN	38	LOADING PORT SPRING COVER SCREW (2)	60	STRIKER RETAINING PIN
17	CARRIER PIN	39	CARRIER SPRING SCREW	61	STOCK
18	CARTRIDGE GUIDE SCREW (2)	40	LINK PIVOT PIN	62	STOCK BOLT
19*	SAFETY DETENT PLATE	41	MAGAZINE TUBE	63	RECOIL PAD
20*	SAFETY ARM ACTUATOR	42	MAGAZINE FOLLOWER	64	RECOIL PAD RETAINING SCREW (2)
21*	SAFETY PIVOT SCREW	43	MAGAZINE SPRING	65	REAR SIGHT
22*	SAFETY ARM	44	MAGAZINE PLUG SCREW	66	FRONT SIGHT
				67	HAMMER EXTENSION

\* Items on parts list are reserved for qualified gunsmiths or the authorized Product Service Center only.

# EXPLODED VIEW



## **FIREARMS SAFETY DEPENDS ON YOU. MAKE NO MISTAKE ABOUT IT!**

From the time an individual picks up a firearm, that individual shooter becomes a part of a system over which he has complete control. He is the only part of the system that can make a gun safe – or unsafe. Hunting and target shooting are among the safest of all sports. This booklet is intended to make them even safer – by re-emphasizing and reaffirming the basics of safe gun handling and storage and by reminding each individual shooter that he or she is the key to firearms safety. You can help meet this responsibility by enrolling in hunter safety or shooting safety courses. You must constantly stress safety when handling firearms, especially to children and non-shooters. Newcomers in particular must be closely supervised when handling firearms with which they may not be acquainted. Don't be timid when it comes to gun safety. If you observe anyone violating any safety precautions, you have an obligation to suggest safer handling practices, such as those in this booklet. Please read these rules carefully and follow the safety procedures outlined. Firearms safety is up to you. Make no mistake about it.

- 1. ALWAYS KEEP THE MUZZLE POINTED IN A SAFE DIRECTION**
- 2. FIREARMS SHOULD BE UNLOADED WHEN NOT ACTUALLY IN USE**
- 3. DON'T RELY ON YOUR GUN'S "SAFETY"**
- 4. BE SURE OF YOUR TARGET AND WHAT'S BEYOND IT**
- 5. USE CORRECT AMMUNITION**
- 6. IF YOUR GUN FAILS TO FIRE WHEN THE TRIGGER IS PULLED, HANDLE WITH CARE**
- 7. ALWAYS WEAR EYE AND EAR PROTECTION WHEN SHOOTING**
- 8. BE SURE THE BARREL IS CLEAR OF OBSTRUCTIONS BEFORE SHOOTING**
- 9. DO NOT ALTER OR MODIFY YOUR GUN, AND HAVE GUNS SERVICED REGULARLY**
- 10. LEARN THE MECHANICAL AND HANDLING CHARACTERISTICS OF THE FIREARM YOU ARE USING**

*Courtesy of  
Sporting Arms and Ammunition Manufacturers' Institute, Inc.*