



LIGHTNING PUMP ACTION (LPA)[™] TRIGGER SYSTEM ADJUSTMENTS (if so equipped)

Your firearm may be equipped with Mossberg's revolutionary "Lightning Pump Action" Trigger System (Patent Pending), an adjustable trigger system that allows you to safely adjust the trigger pull of your firearm from the factory setting (less than 3lbs) to 6 pounds (approximately). Your firearm is shipped with the trigger pull set at the factory minimum. You can adjust the trigger pull by turning the Trigger Pull Adjusting Screw (See Figures 1 and 2) clockwise (to increase trigger pull) or counterclockwise (to decrease trigger pull).



BEFORE ANY ATTEMPT IS MADE TO ADJUST YOUR TRIGGER PULL, VISUALLY AND PHYSICALLY INSPECT THE CHAMBER AND MAGAZINE TO MAKE SURE THAT YOUR FIREARM IS UNLOADED. KEEP THE MUZZLE POINTED IN A SAFE DIRECTION AT ALL TIMES!!

To Adjust Your Trigger Pull

Remove the Trigger Housing Assembly from the firearm: Using the instructions provided in the Owner's Manual, remove the Trigger Housing Assembly from the firearm.

Adjust the Trigger Pull: The Trigger Pull Adjusting Screw is located in the rear of the trigger housing (fig.1). When the firearm leaves the factory, the screw is set flush with the bottom of the trigger housing counterbore (lowest trigger pull). Using a 3/32" Allen wrench, turn the Trigger Pull Adjusting Screw clockwise to increase the trigger pull, or counterclockwise to decrease trigger pull (fig. 2). The Trigger Pull Adjustment Screw incorporates a nylon patch that provides resistance while turning the screw for adjustment. This is normal and to be expected. To set the trigger pull to the minimum setting (factory setting) back the Trigger Pull Adjusting Screw out until it is approximately flush with the bottom surface of the trigger housing counterbore (fig. 1). **Do not remove the Trigger Pull Adjusting Screw, spring and follower from the trigger housing. The components may get lost and trigger pull adjustment will not be possible.**

Reinstall the Trigger Housing Assembly: Using the instructions provided in the Owner's Manual, re-install the Trigger Housing Assembly into the firearm.

Function Test: With your firearm pointed in a safe direction, visually and physically inspect the chamber and magazine to make sure that your firearm is unloaded. Then, using the instructions provided in the Owner's Manual, perform a complete function test.

If the trigger pull is not to your satisfaction, repeat the above procedure until satisfactory results are obtained.

O.F. MOSSBERG & SONS, INC.

P.O. BOX 497 • 7 GRASSO AVENUE, NORTH HAVEN, CT 06473

PHONE (800) 363-3555

www.mossberg.com

Safety and safe firearms handling is everyone's responsibility.

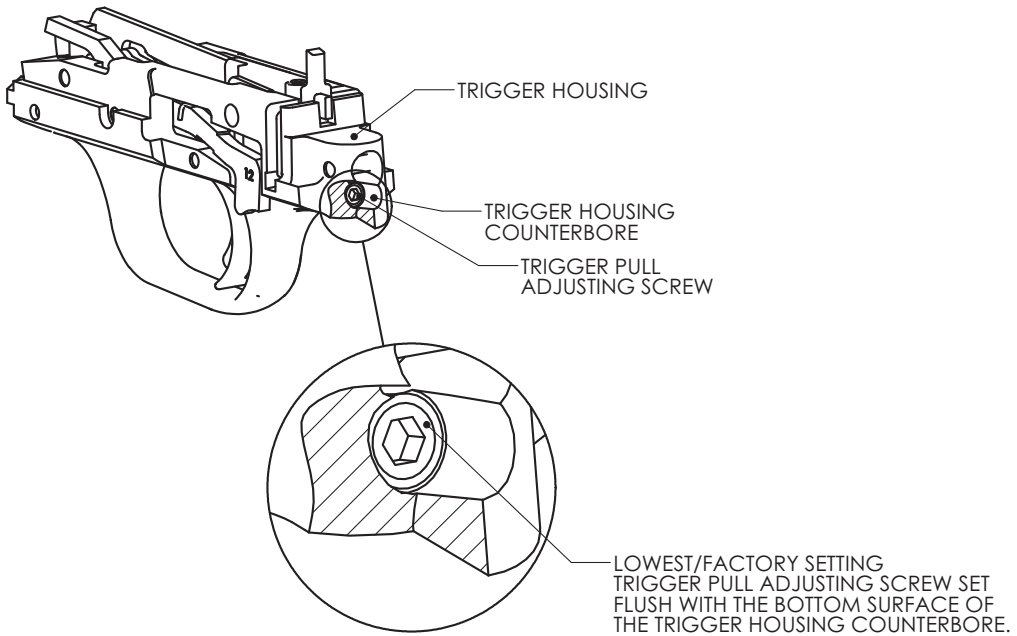


FIGURE 1

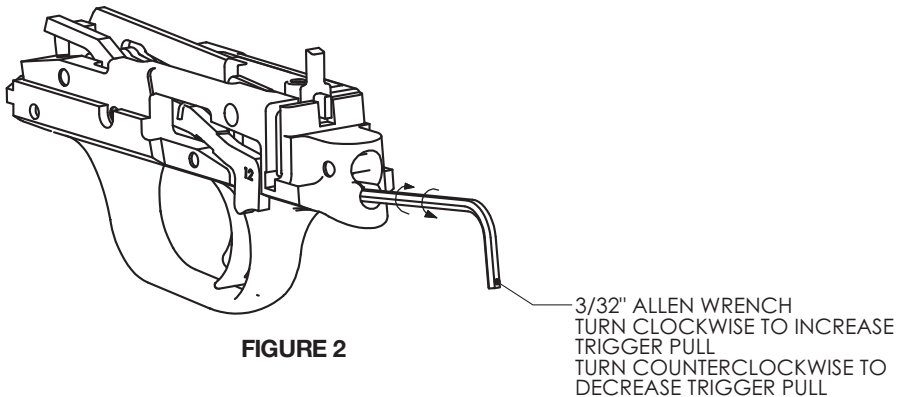


FIGURE 2



No other trigger adjustments are provided. In order to avoid serious personal injury to you or those around you, no other changes, alterations, or adjustments should be made to the trigger system.



Firearms are complicated mechanisms. Any modification, alteration, or improper fitting of parts may result in a dangerous malfunction, damage to the firearm and injury to the shooter and other persons. The firearm's owner must accept full responsibility for the correct reassembly and functioning of the firearm after any disassembly or replacement of parts.

